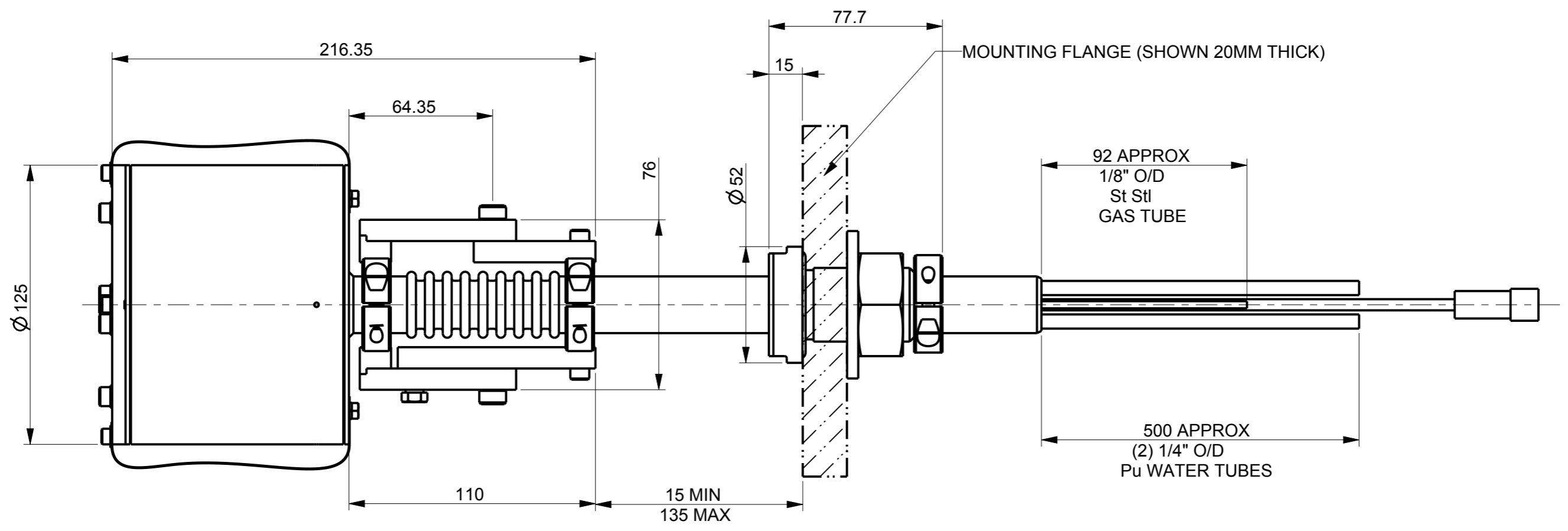
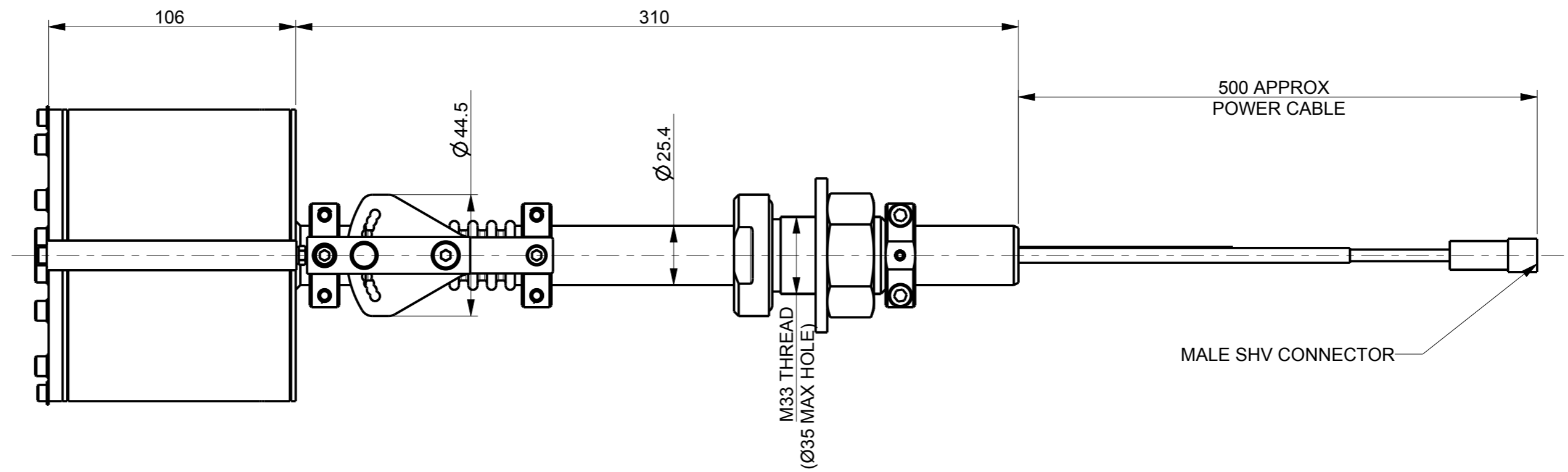
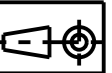


DRAWING NO  
IMC75-A01

FIRST ANGLE



SURFACE FINISH UNLESS OTHERWISE STATED 3.2		<b>GENCOA LTD</b> Physics Road, Liverpool L24 9HP UK Tel: 0151 486 4466 Fax: 0151 486 4488 www.gencoa.com		REFERENCE DRAWING	SCALE	A3	1:2	TITLE	IMC75-I-TLT Assy	ISSUE	B
COPYRIGHT: This drawing is copyright & the property of Gencoa Ltd. It must not be copied, used for manufacture or otherwise disclosed without prior written consent of the company. ©Gencoa Ltd 1995		SUPPLIER TYPE		CHECKED BY	APPROVED BY	DATE		29/01/13		Sheet	
B RIB Diameter of wall mount feedthrough thread added		13/10/15		MATERIAL		Various		TOLERANCES EXCEPT WHERE STATED OTHERWISE		GENERAL ± 0.20 mm ANGLES ± 0° 30'	
A RIB For Production		29/01/13		FINISH		IMC75-A01		1 of 1			
ISSUE BY		MODIFICATION		DATE		GRID REF.					