



Optix

An instrument for in-vacuum gas sensing from Genco.

Optix is a ground breaking, multi-purpose instrument for gas sensing in any vacuum environment, functioning through a wide range of operating pressures to cater for most industrial vacuum production processes without any requirement for a differential pumping system.

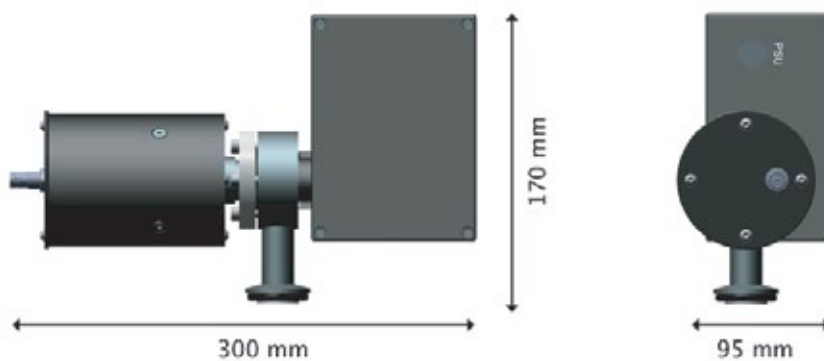


A powerful new vacuum diagnostics and control instrument

Optix uses a remote plasma spectroscopy concept which generates a small plasma within the sensor head, which is then analysed by its built-in spectrometer. The light spectrum is automatically interpreted to provide qualitative measurement of the presence and concentration of gas within the vacuum.

The Optix spectral information and sophisticated back-end software creates a range of uses for the following vacuum processes: Leak Detection; Vacuum Quality Monitoring; Process Pump-down Analysis; Condition Monitoring & Fault Detection; End-point Detection;

Dimensions



Pressure regime advantages

- No need for expensive/complex differential pumps
- No spurious readings from differential pump systems and no time delay

Interface

An advanced Windows user interface provides clear visualisation of the condition of the process and vacuum, and powerful tools for recording and referencing data enable easy identification of process problems.

Software features

- Built-in spectrum database for atomic and molecular emission signatures
- Automatic spectrum interpretation
- Time plots for automatically or user defined species
- Customizable trigger set-up for end point detection or process control
- Vacuum quality tracker
- Leak detection mode

Further information

Contact sales@gencoa.com to register an interest in Optix, or to request further product information.

Dimensions and physical data

Optix sensor: 300mm x 170mm x 95mm
 PSU: 165mm x 105mm x 55mm
 Sensor weight: 2.2kg
 Vacuum connection: KF25 flange
 Mounting orientation: Any
 Cathode and anode material: Stainless steel (serviceable and replaceable)

Electrical

Input voltage: 24V
 Input power: 20W typical
 Output voltage: 3kV max
 Output current: 1.5mA max

Operating data

Total pressure operating range: 1×10^{-6} mbar - 0.5 mbar
 Sensitivity: 50ppm air in argon at 1.6×10^{-2} mbar total pressure
 Spectral range: 200nm - 900nm
 Update speed: 5ms - 10 seconds (depending on sensitivity selected)

Communication Interfaces

OPC
 RS232
 Ethernet
 Digital relay output (x4)

Software

Windows 7, 8 and 10 compatible

