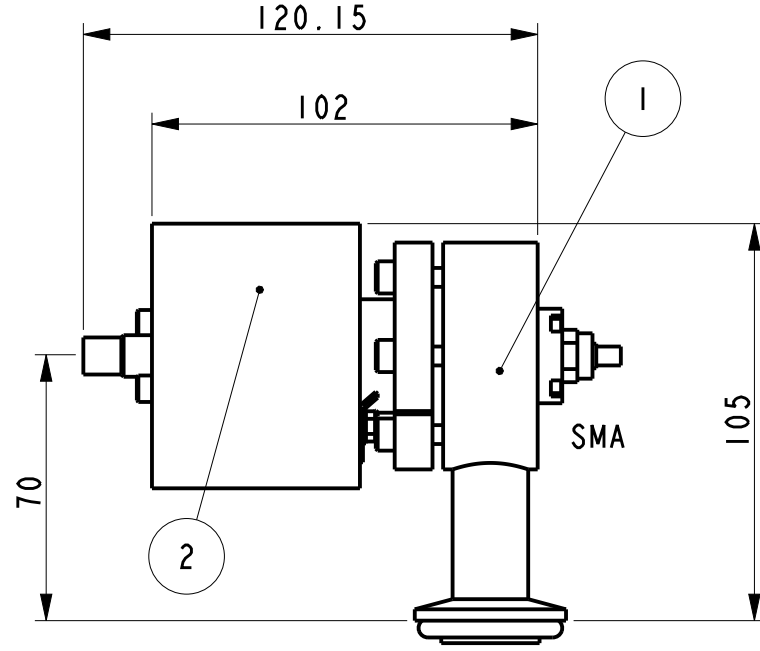
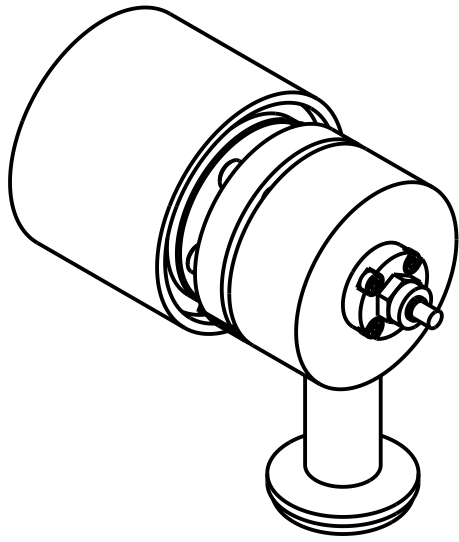


ISSUE	AUTHOR	DETAIL OF CHANGE	ECO REF	DATE
A	RBR	FOR ISSUE	~	n.a.



ITEM	DRAWING	DESCRIPTION	TYPE	SUPPLIER	QTY
1	OPX-03-C01	Plasma Tee Ass'y	ASSEMBLY	Genco	1
2	OPX-CC	Plasma Generator	ASSEMBLY	Genco	1

FIRST ANGLE <small>DRAWN BY Robert Brown</small> <small>MAKE FROM</small> <small>MATERIAL SPECIFICATION Various</small> <small>TREATMENT/HARDNESS/FINISH</small> <small>SUPPLIER TYPE Genco</small>	<small>ORIGINAL SCALE</small> 1:2 <small>DATE</small> 21-01-21 <small>ORIGINAL SHEET SIZE</small> A4	<small>DRAWING NUMBER</small> <h1>OPTIX-SMA</h1> <small>DESCRIPTION</small> OPTIX for remote viewing
	<small>ANGLE TOLERANCES</small> $\pm 0^\circ 30'$ <small>UNLESS OTHERWISE STATED.</small>	<small>ALL HOLES</small> $\phi 0.2$
<small>CHECKED BY</small> n.a. <small>CHECK DATE</small> n.a. <small>DESIGN APPROVED BY</small> n.a. <small>APPROVAL DATE</small> n.a.	<small>4 DE HAVILLAND DRIVE, LIVERPOOL L24 8RN UK</small> <small>Tel 0151 486 4465 Fax 0151 486 4488</small> GENCOA LTD www.gencoa.com	
<small>COPYRIGHT: THIS DRAWING IS COPYRIGHT & PROPERTY OF GENCOA LTD. IT MUST NOT BE COPIED, USED FOR MANUFACTURE OR OTHERWISE DISCLOSED WITHOUT PRIOR WRITTEN CONSENT OF THE COMPANY.</small> <small>©Genco Ltd 1995</small>		<small>DO NOT SCALE</small> <small>REVISION</small> SHEET 1 OF 1

A
B
C
D
E
F

A
B
C
D
E
F

1 2 3 4 5 6 7 8 9

1 2 3 4 5 6 7 8 9